



ACTIVE FIRE CURTAIN BARRIER FOR DOMESTIC & COMMERCIAL APPLICATIONS

[WWW.COOPERSFIRE.COM](http://WWW.COOPERSFIRE.COM)



LEADING THE WAY IN FIRE PROTECTION

## Vii®FIRE ACTIVE FIRE CURTAIN BARRIER FOR YOUR HOME AND COMMERCIAL PROPERTY.

From architects to homeowners to commercial property owners, Coopers Fire Vii®Fire fire curtain barriers provide you with the means to help create modern, open plan living/working environments compliant with stringent fire regulations without compromising design. Sympathetic to interior aesthetics, the Vii®Fire fire curtain barrier will remain hidden until deployed and is used to replace non-loadbearing walls, fire doors and un-insulated glazing.

## WHAT Vii®FIRE REPLACES

- Wall
- Door
- Glazing
- Serving hatches
- Ceiling



Increasingly specified by designers as an integral component for facilitating open plan environments, Vii®Fire is the modern alternative to segregating firewalls, heavy and cumbersome fire doors and is an aesthetically pleasing replacement for traditional, industrial looking shutters.

## HOW DOES IT WORK?

Made by Coopers Fire in the UK, Vii®Fire is Third Party Accredited and has been developed to withstand temperatures of 1000°C. Vii®Fire will also remain sympathetic to your interior designs by staying hidden within a ceiling or void until triggered by a fire alarm or detector, deploying under the Coopers Fire patented Total Gravity Fail Safe (TGFS) system.

In the event of a fire, the Vii®Fire fire curtain barrier will deploy to form a protective barrier that will effectively contain and compartmentalise a fire, providing the same protection as a wall or fire door and permitting safe, tenable escape.

## KEY BENEFITS

- 2 Hour fire and smoke protection
- Tenable zone for protecting means of escape
- Guaranteed building control approval
- Standard and bespoke sizes
- Powder coat paint available in multiple colours
- Supply only or supply and install
- Inspiring open plan living

## APPLICATIONS

- Kitchen
- Hall & lobby
- Loft & cellar
- Laundry shoot
- Serving hatches
- Protecting non fire rated glazing forming a boundary protection
- Walls and floors forming a protective means of escape

## PRODUCT RANGE

- Door
- Serve
- Ceiling/sky light

## TESTING, ACCREDITATIONS AND CERTIFICATION

AT COOPERS FIRE, WE UNDERSTAND THE IMPORTANCE OF FIRE SAFETY BUT ALSO THE SIGNIFICANCE OF BLENDING YOUR FIRE CURTAIN BARRIER IN WITH YOUR HOME AND COMMERCIAL PROPERTY.

### Why Vii®Fire?

Vii®Fire combines aesthetic subtlety with certified 2 hour protection reinforced by over 30 years experience.

Also unique is how you purchase and install Vii®Fire. Because Vii®Fire is 'plug and play' and can be installed by a competent person, you're free to purchase on a supply only arrangement, cutting both time and costs.

Alternatively, Coopers Fire can project manage the installation from concept to commissioning, we'll even liaise with your Building Control Body, taking the uncertainty out of complying with Building Regulations.



## ADDING TENABLE ZONE TO Vii®FIRE.

If you're protecting a means of escape, a tenable zone is required to protect passing occupants from radiating heat. Coopers Fire Vii®Fire i-Zone is approved to provide a tenable zone in accordance with BS 8524-2:2013 and will achieve radiated heat as low as 8.4kW/m<sup>2</sup> after 60 minutes.

## ADDING SMOKE CONTROL

All of our Vii®Fire fire curtain barriers can also incorporate smoke seals to help control smoke in accordance with BS EN 1634-3:2004.



Vii®FIRE CURTAIN BARRIER COMBINES AESTHETIC SUBTLETY WITH CERTIFIED 2 HOUR FIRE PROTECTION

Reveal fix

Face fix



## ACCREDITATIONS

BS 8524-1:2013  
BS EN 1634-1:2014  
BS EN 1634-3: 2004  
BS 476-6:1989  
BS 476-7:1997  
ISO 9001:2008  
ISO 14001:2004

Meets the 'self closing without power' fire safety requirement (Approved Document B)

## SUPPLY ONLY

Vii®Fire can also be supplied as a supply only option and is suitable for installation by a competent person.

## SUPPLY AND INSTALL WITH FULL PROJECT MANAGEMENT

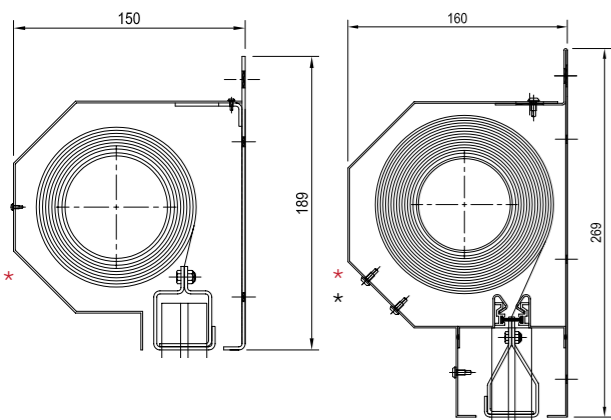
Whether you're an architect, contractor or a home owner, Coopers Fire team of project managers and installers are dedicated to ensuring that your project meets stringent fire regulations whilst remaining sympathetic to your domestic or commercial design.

Furthermore, Coopers Fire are Third Party Accredited for installation, commissioning and service.

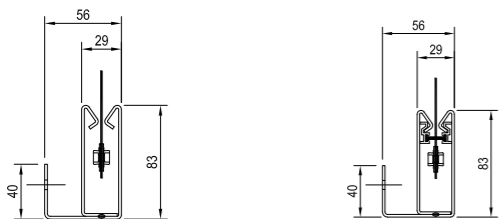
## OPTIONS FOR FITTING AND CONCEALING THE HEAD BOX

With head boxes and fixing options to suit all types of ceiling configurations, Vii®Fire curtain barriers are both flexible and sympathetic to interior aesthetics.

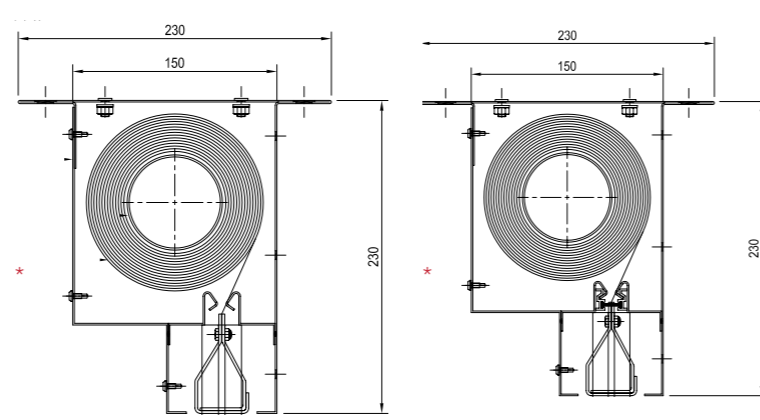
### FACE FIX - HEAD BOX



### FACE FIX - SIDE GUIDE



### REVEAL FIX - HEAD BOX



### REVEAL FIX - SIDE GUIDE

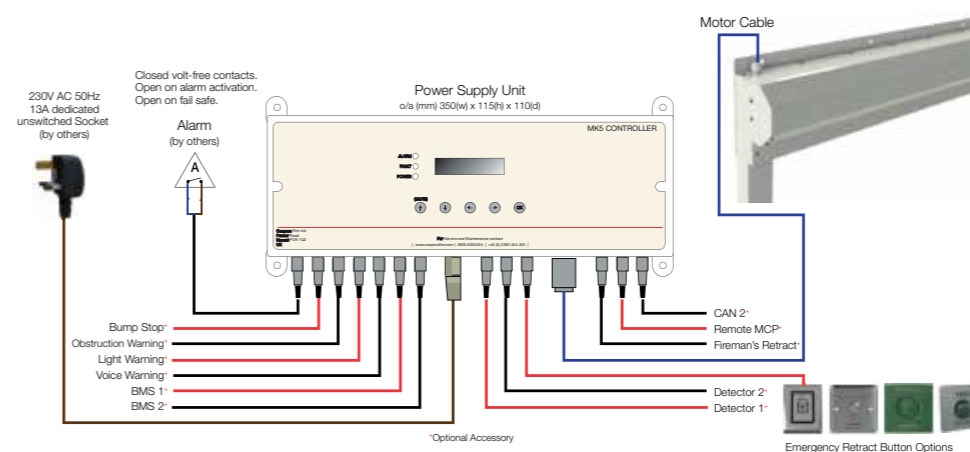


\* i-Zone  
\* Access to the headbox is gained by the front panel.

## MEASURING AND ORDERING

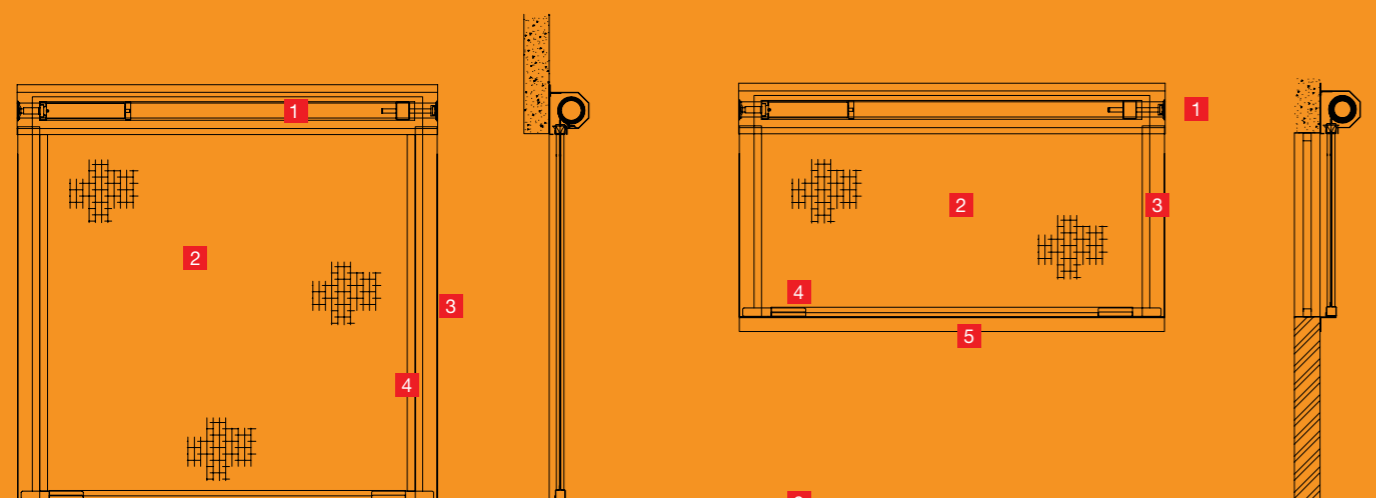
1. Check that all walls and surfaces are suitably fire rated.
2. Ensure all fittings, if different to the standard fittings supplied are suitably fire rated and load rated. Please refer to your fixings supplier.
3. Guarantee that there are no obstructions, pipes, cables or tiles.
4. Measure the width of the opening at the top middle and bottom.

## CONTROL OPTIONS



## MANDATORY SAFETY FUNCTIONS

- BS 8524 compliant
- Total Gravity Fail Safe (TGFS)
- Total wiring corruption fail-safe by gravity
- Total control equipment fail-safe by gravity
- Safe controlled operating speeds
- Battery backup
- Automatic self-test enabled



- 1 Headbox
- 2 Fabric Curtain
- 3 Side Guide Assembly
- 4 Smoke Seal
- 5 Bottom Bar
- 6 Finished Floor

- 1 Headbox
- 2 Fabric Curtain
- 3 Guide Assembly
- 4 Bottom Bar
- 5 Sill (where required)
- 6 Floor

## CRITICAL PERFORMANCE OPTIONS

- Fire integrity only
- Fire integrity and smoke protection
- Fire integrity and tenable zone
- Fire integrity, tenable zone and smoke protection

## OPTIONAL EXTRAS

- Sill (where required)
- Voice warning
- Audio / visual beacon
- Heat detector
- Smoke detector
- Beam detector
- Light curtain
- Bump stop, bottom bar edge protection
- Emergency retract button/s

### QUALITY ASSURANCE AND CERTIFICATION



### MEMBERSHIP



### CPD ACCREDITATIONS



## TECHNICAL INFORMATION

### Mechanical

- Headbox: Mild Steel 18 swg (1.2mm)
- Backplate: Mild Steel 18 swg (1.2mm)
- End Plates: Mild Steel 14 swg (2.0mm)
- Side Guides: Mild Steel 18 swg (2.0mm)
- Bottom Bar: Mild Steel 18 swg (2.0mm)

## ELECTRICAL INFORMATION

### Motor

24Vdc Patented Total Gravity Fail Safe (TGFS)

### Controls

Emergency power unit plug and play pre-wired  
Mild Steel – 340 Width x 200 Height x 70 Depth  
(Clearance is required for connectors)

### Power

230Vac – 50Hz via IEC power inlet (110Vac available on request)

### Accessory Fuse

1A anti-surge (T1A)

### Battery Fuse

3.15A anti-surge

### Batteries

2 no. 12V, 1.2Ahr Sealed Lead Acid in series

### Alarm

Pair of normally closed volt-free contact (by others) smoke detector or heat detector, test key-switch

### Sockets

Motor  
IEC Main in  
Alarm  
Detector (smoke/heat)  
Obstruction Detector (beam or curtain)  
Bump stop, bottom bar edge protection  
Emergency Retract  
Audio/Visual Beacon  
Voice Warning

For information, to get a quote  
or to book a CPD workshop

Please call:

**+44 (0)2392 454 405**

or E-mail: [info@coopersfire.com](mailto:info@coopersfire.com)

[WWW.COOPERSFIRE.COM](http://WWW.COOPERSFIRE.COM)

Coopers Fire Ltd  
Ignis House, Houghton Avenue  
Waterlooville, Hampshire  
PO7 3DU, United Kingdom

Phone: +44 (0)2392 454 405  
Email: [info@coopersfire.com](mailto:info@coopersfire.com)  
Web: [www.coopersfire.com](http://www.coopersfire.com)

Coopers Fire Ltd has a policy of  
continuous product improvement.

As such we reserve the right to  
change design and specifications  
without prior notice.

Please check our website for the  
latest information.

© Coopers Fire Ltd. All content and products are copyright  
of Coopers Fire Ltd. Registered in England Number: 2010274.  
Multiple patents granted and pending.

