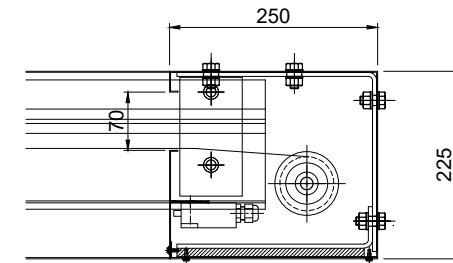
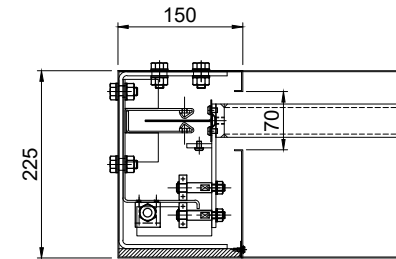


DETAIL A




DETAIL B



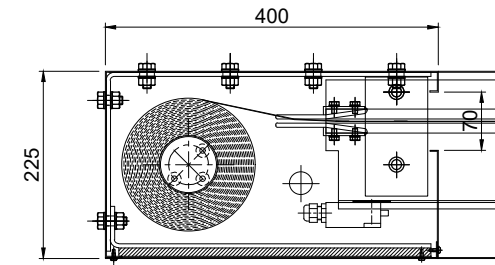
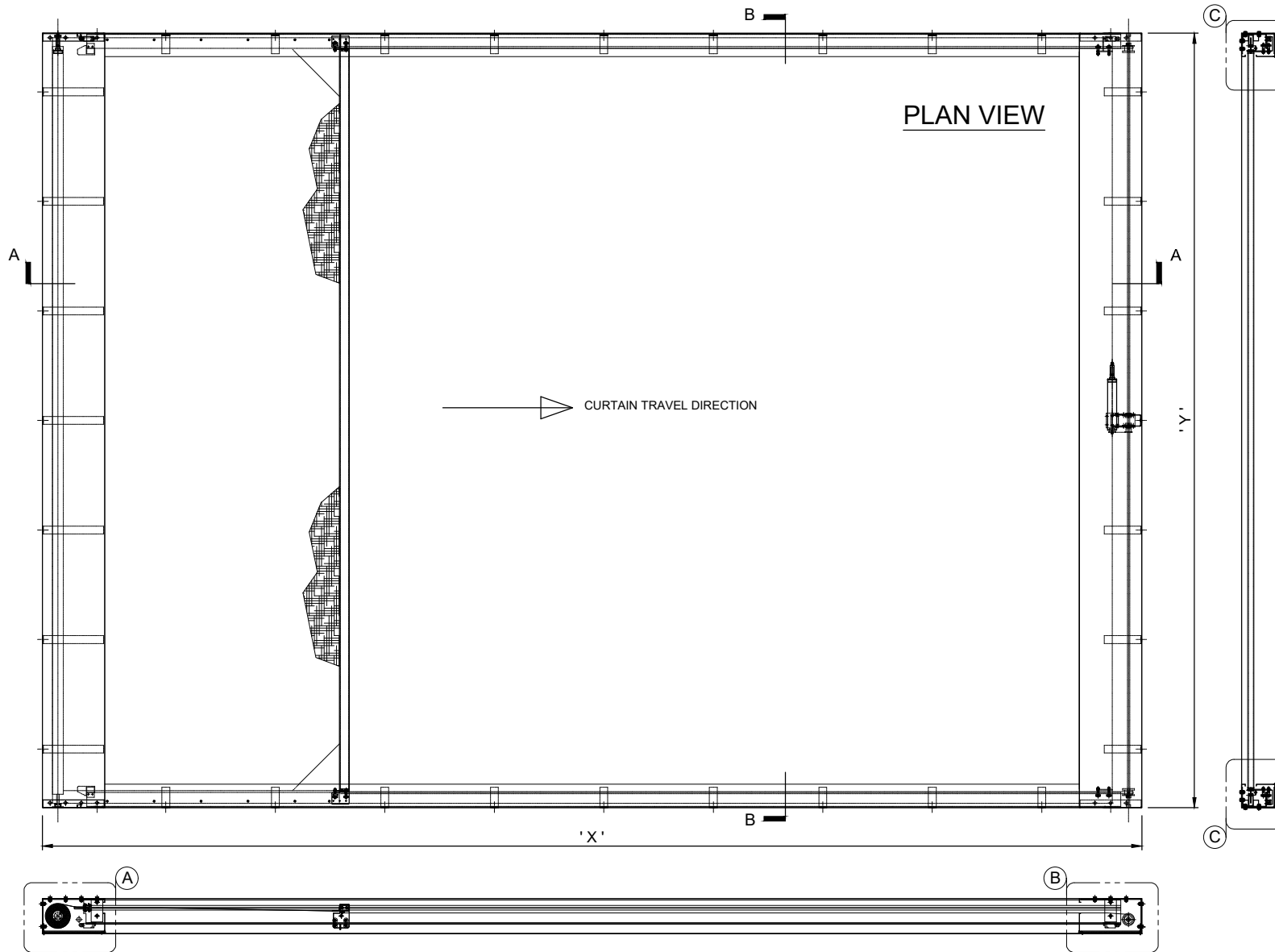
DETAIL C

**MAXIMUM SIZE**  
 "X" = 4 METRES  
 "Y" = 3 METRES  
**MINIMUM SIZE**  
 "X" = 1 METRES  
 "Y" = 1 METRES

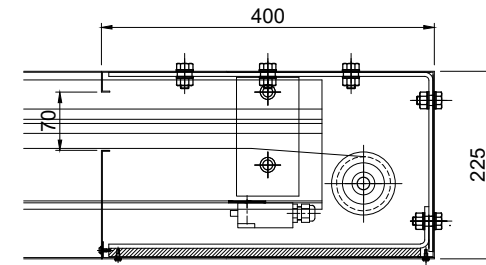
NOTE - SIZES OUTSIDE THESE STANDARDS - PLEASE CONTACT COOPERS FIRE LTD

 <p>Ignis House, Houghton Avenue        Waterlooville, Hampshire        PO7 3DU, UK        Tel: +44 (0) 23 9245 4405        Fax: +44 (0) 23 9249 2732        Email: info@coopersfire.com        Web: www.coopersfire.com</p>	DRAWN:	TITLE:	
	ML	FIREMASTER® SIMPLEX™ HORIZONTAL FIRE CURTAIN TYPICAL ARRANGEMENT	
	CHECKED:	© COOPERS FIRE LIMITED ALL RIGHTS RESERVED. THIS DESIGN MAY NOT BE REPRODUCED IN ANY MATERIAL FORM, INCLUDING ELECTRONICALLY WITHOUT THE WRITTEN PERMISSION OF THE COPYRIGHT NAMES	ALL DIMENSION IN MILLIMETERS UNLESS OTHERWISE STATED
	JR		
	APPROVED:	DRG. No.	ISSUE:
	JR	HRZ/STD/01	1
			DATE:
			14.12.2020

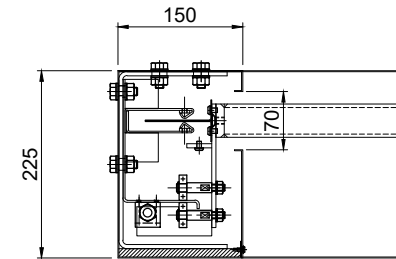
NOTE  
 THIS DRAWING SHOULD BE CONSIDERED AS  
 A GUIDE ONLY, AS SOME DETAILS HAVE BEEN  
 OMITTED FOR CLARITY.



DETAIL A




DETAIL B



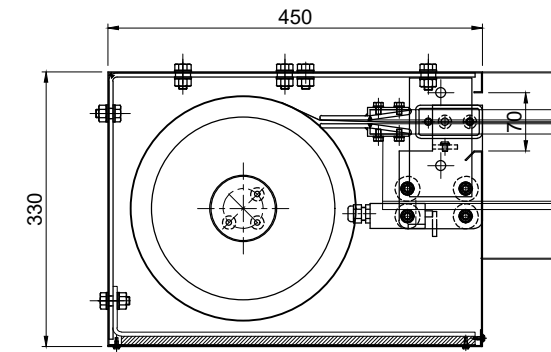
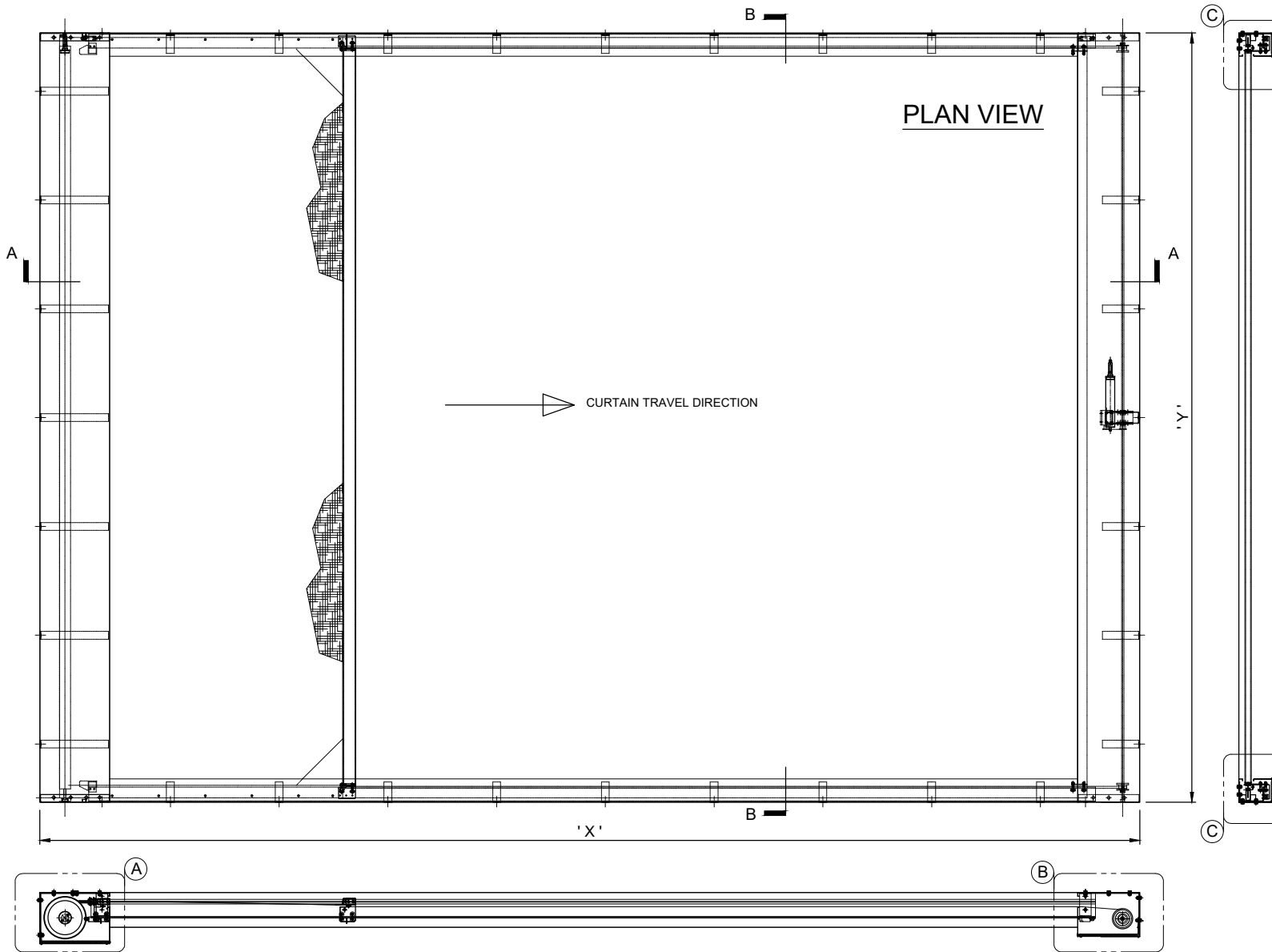
DETAIL C

**MAXIMUM SIZE**  
 "X" = 7 METRES  
 "Y" = 5 METRES  
**MINIMUM SIZE**  
 "X" = 4 METRES  
 "Y" = 3 METRES

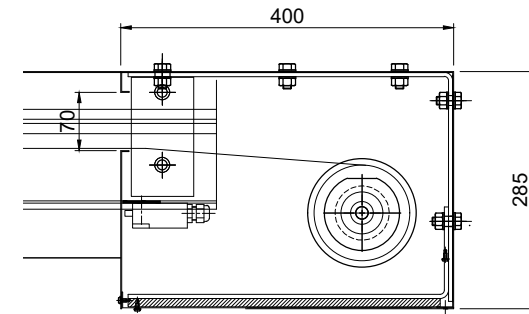
NOTE - SIZES OUTSIDE THESE STANDARDS - PLEASE CONTACT COOPERS FIRE LTD

 <p>Ignis House, Houghton Avenue        Waterlooville, Hampshire        PO7 3DU, UK        Tel: +44 (0) 23 9245 4405        Fax: +44 (0) 23 9249 2732        Email: info@coopersfire.com        Web: www.coopersfire.com</p>	DRAWN:	TITLE:	
	ML	FIREMASTER® SIMPLEX™ HORIZONTAL FIRE CURTAIN TYPICAL ARRANGEMENT	
	CHECKED:	© COOPERS FIRE LIMITED ALL RIGHTS RESERVED. THIS DESIGN MAY NOT BE REPRODUCED IN ANY MATERIAL FORM, INCLUDING ELECTRONICALLY WITHOUT THE WRITTEN PERMISSION OF THE COPYRIGHT NAMES	ALL DIMENSION IN MILLIMETERS UNLESS OTHERWISE STATED
	JR		
	APPROVED:	DRG. No.	ISSUE:
	JR	HRZ/STD/03	1
			DATE: 21.12.2020

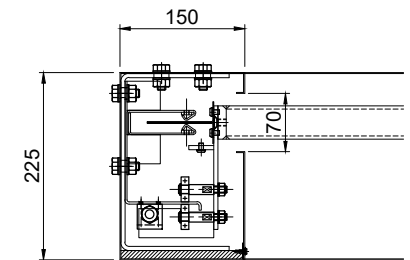
NOTE  
 THIS DRAWING SHOULD BE CONSIDERED AS  
 A GUIDE ONLY, AS SOME DETAILS HAVE BEEN  
 OMITTED FOR CLARITY.



DETAIL A



DETAIL B



DETAIL C

**MAXIMUM SIZE**  
 "X" = 7 METRES  
 "Y" = 7 METRES  
**MINIMUM SIZE**  
 "X" = 7 METRES  
 "Y" = 5 METRES

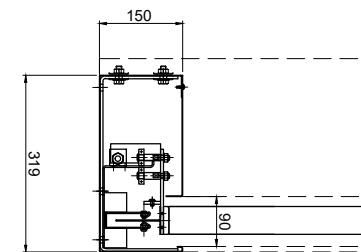
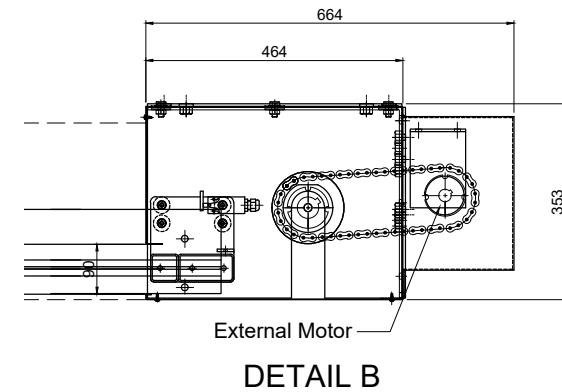
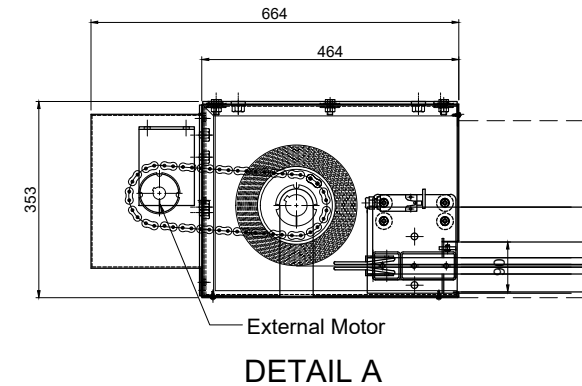
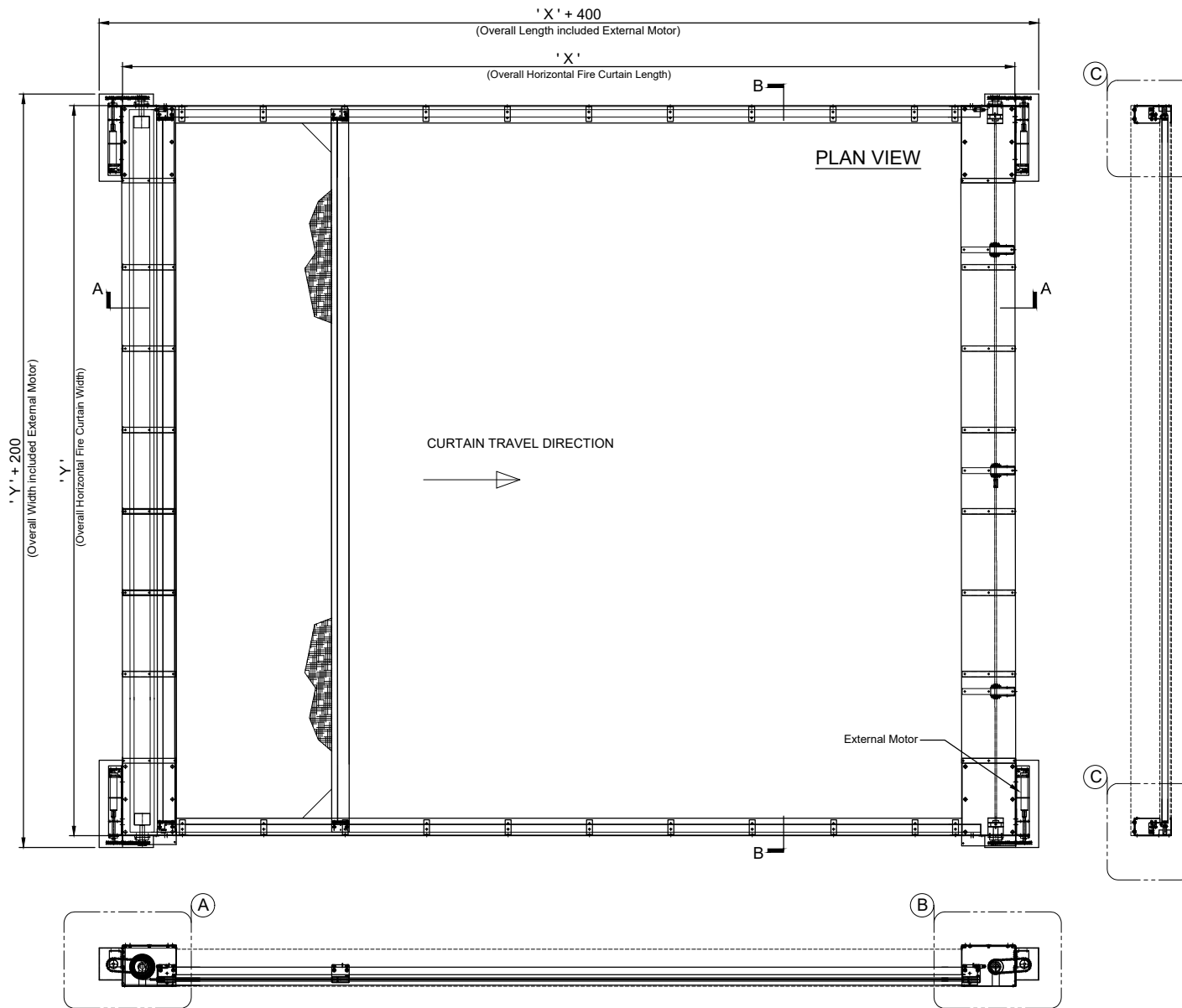
NOTE - SIZES OUTSIDE THESE STANDARDS - PLEASE CONTACT COOPERS FIRE LTD



Ignis House, Houghton Avenue  
 Waterlooville, Hampshire  
 PO7 3DU, UK  
 Tel: +44 (0) 23 9245 4405  
 Fax: +44 (0) 23 9249 2732  
 Email: info@coopersfire.com  
 Web: www.coopersfire.com

DRAWN:	ML	TITLE:	FIREMASTER® SIMPLEX™ HORIZONTAL FIRE CURTAIN TYPICAL ARRANGEMENT
CHECKED:	JR	© COOPERS FIRE LIMITED ALL RIGHTS RESERVED. THIS DESIGN MAY NOT BE REPRODUCED IN ANY MATERIAL FORM, INCLUDING ELECTRONICALLY WITHOUT THE WRITTEN PERMISSION OF THE COPYRIGHT NAMES	ALL DIMENSION IN MILLIMETERS UNLESS OTHERWISE STATED
APPROVED:	JR	DRG. No.	HRZ/STD/04
		ISSUE:	1
		DATE:	21.12.2020


NOTE  
 THIS DRAWING SHOULD BE CONSIDERED AS  
 A GUIDE ONLY, AS SOME DETAILS HAVE BEEN  
 OMITTED FOR CLARITY.



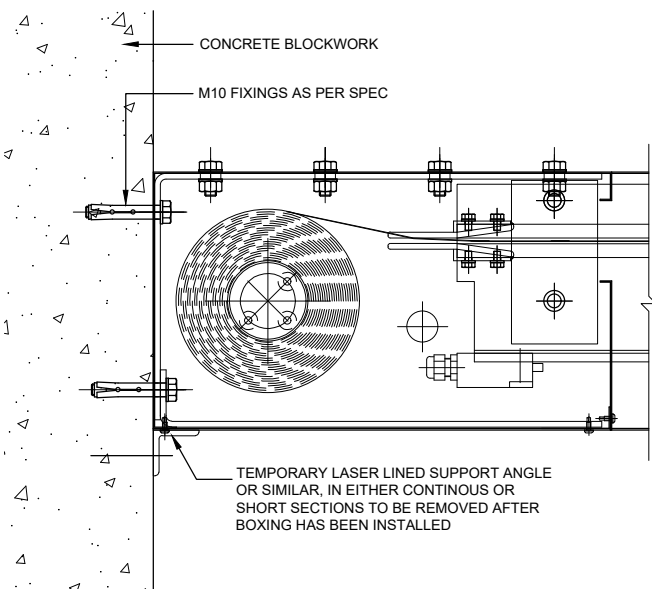
DETAIL C

**MAXIMUM SIZE**  
 "X" = 9 METRES  
 "Y" = 9 METRES  
**MINIMUM SIZE**  
 "X" = 7 METRES  
 "Y" = 7 METRES

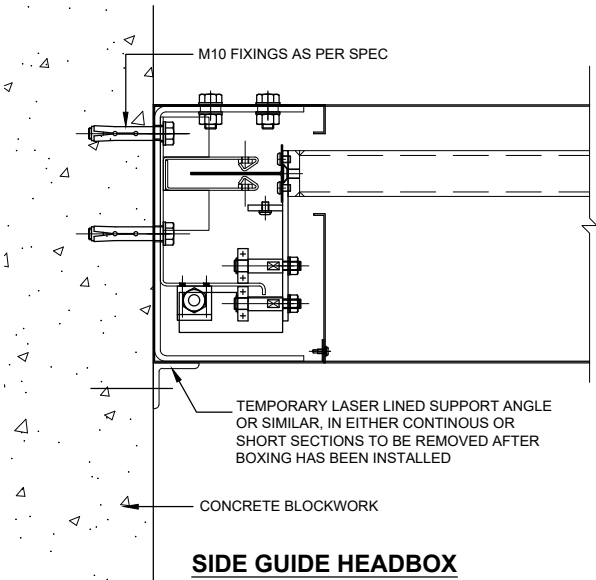
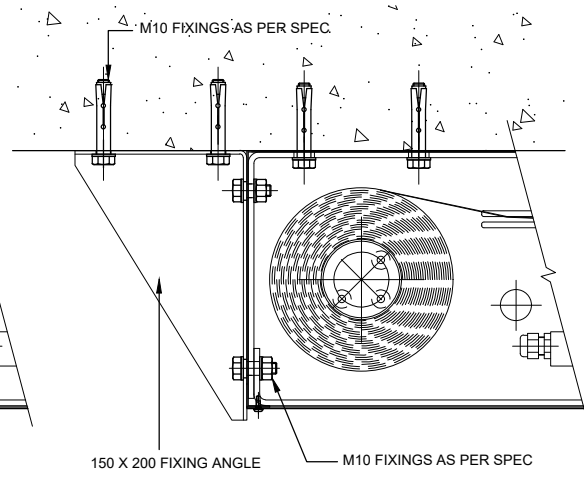
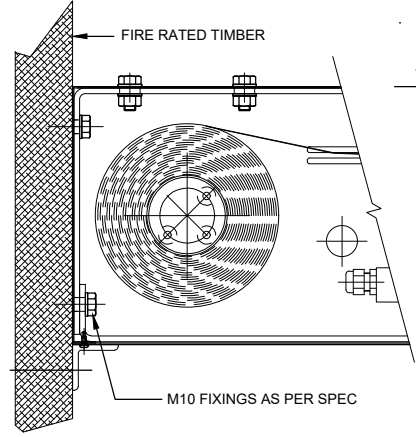
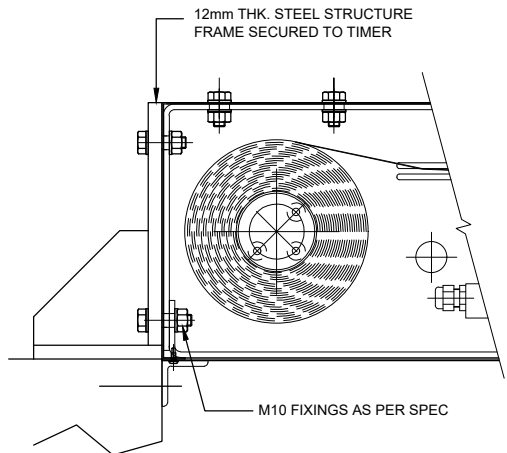
NOTE - SIZES OUTSIDE THESE STANDARDS - PLEASE CONTACT COOPERS FIRE LTD

 <p>Ignis House, Houghton Avenue        Waterlooville, Hampshire        PO7 3DU, UK</p> <p>Tel: +44 (0) 23 9245 4405        Fax: +44 (0) 23 9249 2732        Email: info@coopersfire.com        Web: www.coopersfire.com</p>	DRAWN:	TITLE:	
	ML	FIREMASTER® SIMPLEX™ HORIZONTAL FIRE CURTAIN TYPICAL ARRANGEMENT	
	CHECKED:	© COOPERS FIRE LIMITED ALL RIGHTS RESERVED. THIS DESIGN MAY NOT BE REPRODUCED IN ANY MATERIAL FORM, INCLUDING ELECTRONICALLY WITHOUT THE WRITTEN PERMISSION OF THE COPYRIGHT NAMES	ALL DIMENSION IN MILLIMETERS UNLESS OTHERWISE STATED
	JR		
APPROVED:	DRG. No.	ISSUE:	1
JR	HRZ/STD/05	DATE:	22.12.2020

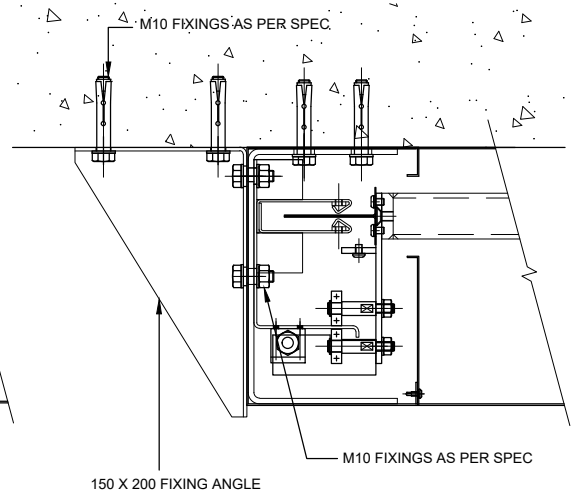
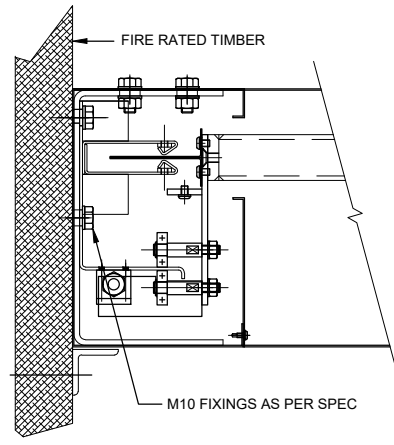
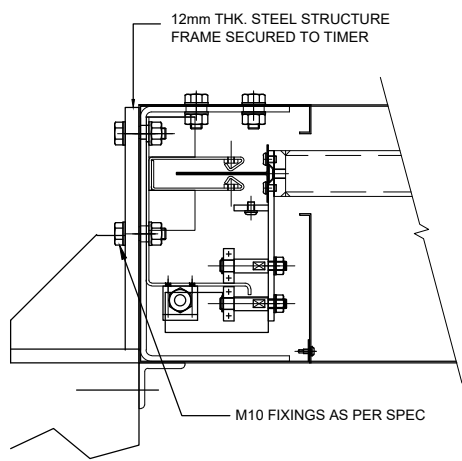
NOTE  
 THIS DRAWING SHOULD BE CONSIDERED AS  
 A GUIDE ONLY, AS SOME DETAILS HAVE BEEN  
 OMITTED FOR CLARITY.



**ROLLER CURTAIN HEADBOX**



**SIDE GUIDE HEADBOX**



**ENSURE THE CORRECT TYPE OF MOUNTING BOLTS ARE USED TO SUIT THE TYPE OF BLOCKWORK OR FRAMEWORK**

Ignis House, Houghton Avenue  
Waterlooville, Hampshire  
PO7 3DU, UK  
Tel: +44 (0) 23 9245 4405  
Fax: +44 (0) 23 9249 2732  
Email: info@coopersfire.com  
Web: www.coopersfire.com

DRAWN:	ML	TITLE:	FIREMASTER® SIMPLEX™ HORIZONTAL FIRE CURTAIN INSTALLATION GUIDE
CHECKED:	JR	© COOPERS FIRE LIMITED ALL RIGHTS RESERVED. THIS DESIGN MAY NOT BE REPRODUCED IN ANY MATERIAL FORM, INCLUDING ELECTRONICALLY WITHOUT THE WRITTEN PERMISSION OF THE COPYRIGHT NAMES	ALL DIMENSION IN MILLIMETERS UNLESS OTHERWISE STATED
APPROVED:	JR	DRG. No.	HRZ/STD/33
		ISSUE:	1
		DATE:	14.12.2020