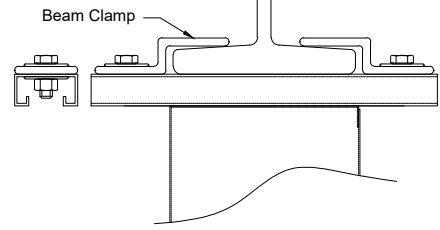
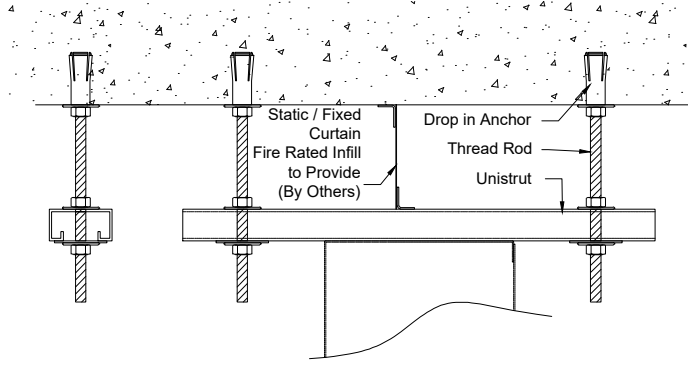


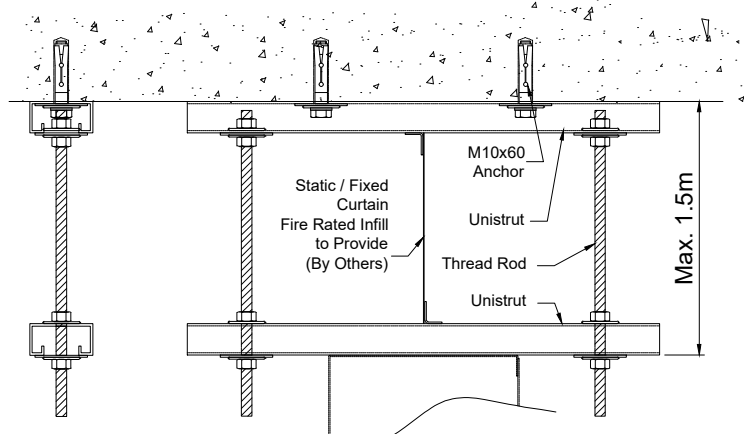
HEADBOX FIXING OPTIONS



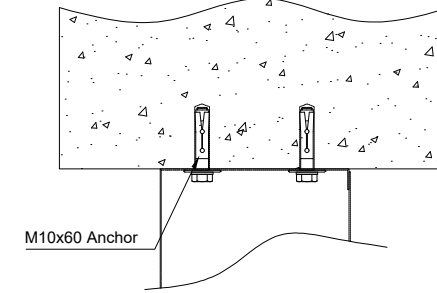
I BEAM FIXING



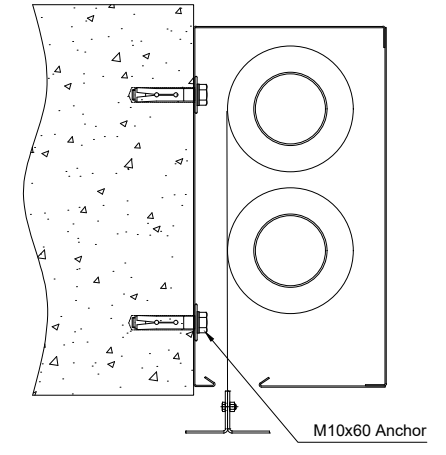
DROP ROD INTO SLAB FIXING



DROP ROD TO UNISTRUT FIXING

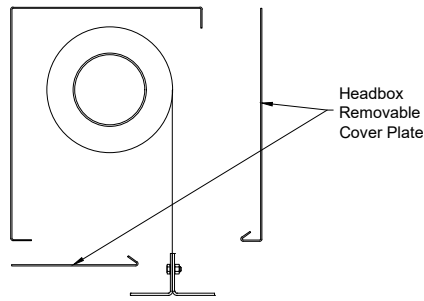


TOP DIRECT FIXING TO CONCRETE

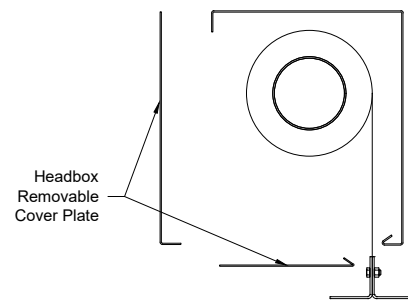


BACK DIRECT FIXING TO CONCRETE

HEADBOX ACCESS OPTIONS

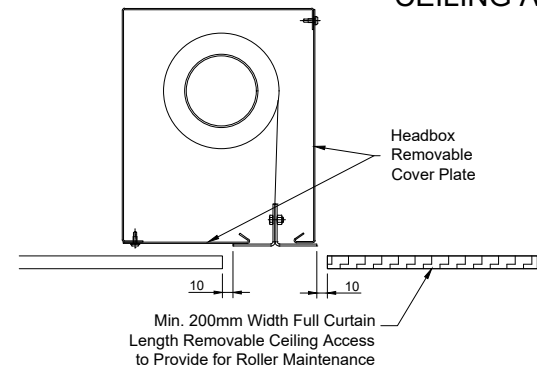


STANDARD HEADBOX

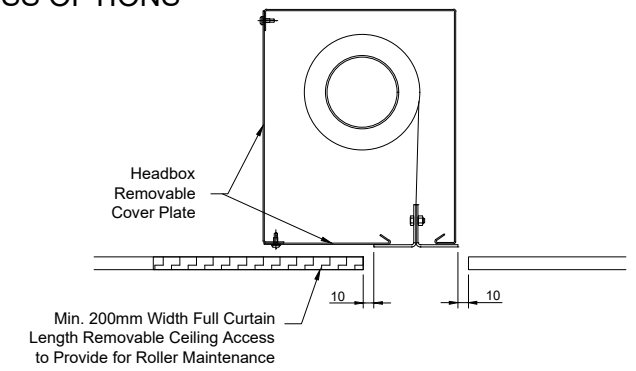


REVERSE HEADBOX

CEILING ACCESS OPTIONS

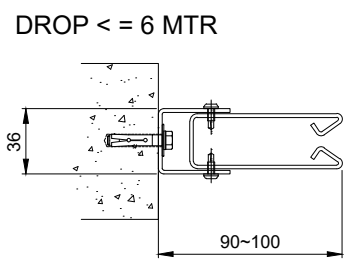


STANDARD HEADBOX

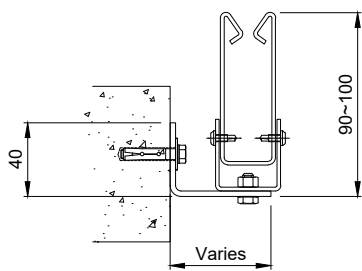


REVERSE HEADBOX

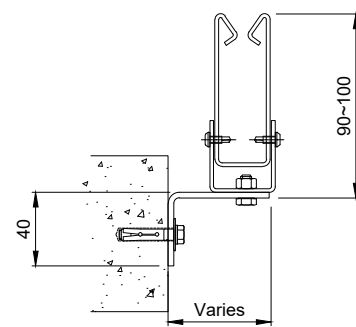
SIDE GUIDE FIXING OPTIONS



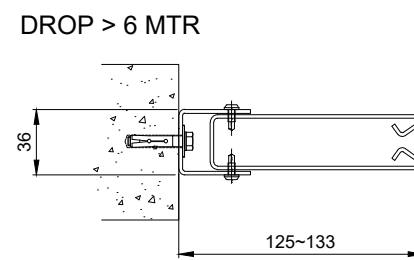
SIDE FIX



REVERSE FIX - Option 1

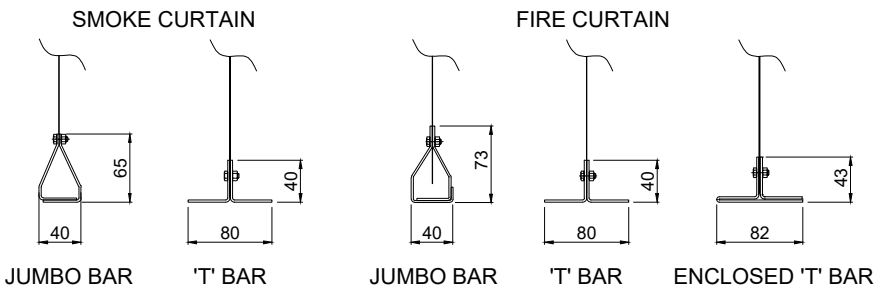


SIDE FIX

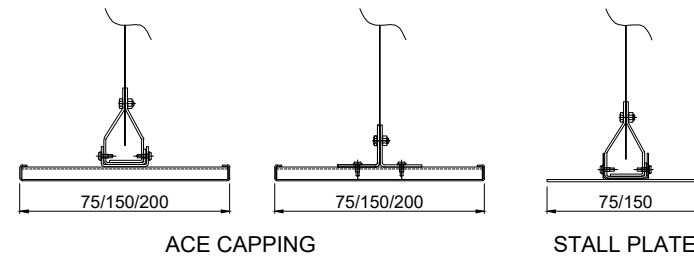


REVERSE FIX - Option 1

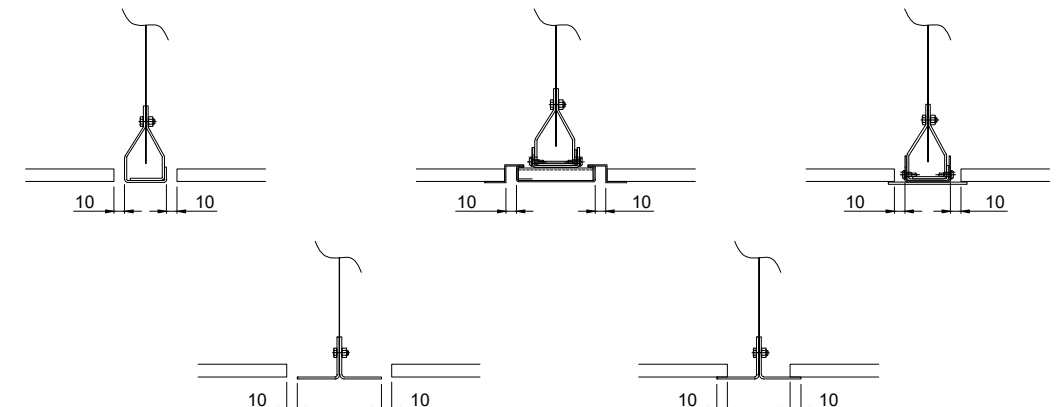
BOTTOM BARS OPTIONS



CAPPING OPTIONS



CEILING & BOTTOM BARS INTERFACE OPTIONS



Ignis House, Houghton Avenue
Waterlooville, Hampshire
PO7 3DU, UK
Tel: +44 (0)2392 454 405
Email: info@coopersfire.com
Web: www.coopersfire.com

DRAWN:	ML	TITLE:	Headbox Fixing, Headbox Ceiling Interface, Bottom Bar & Capping Variations
CHECKED:	JR	© COOPERS FIRE LIMITED ALL RIGHTS RESERVED. THIS DESIGN MAY NOT BE REPRODUCED IN ANY MATERIAL FORM, INCLUDING ELECTRONICALLY WITHOUT THE WRITTEN PERMISSION OF THE COPYRIGHT NAMES	ALL DIMENSIONS IN MILLIMETRES UNLESS OTHERWISE STATED
APPROVED:	JR	DRG. No.	600/616/MK
		ISSUE:	6
		DATE:	26.11.2021

For Certification Compliance Please Contact Coopers