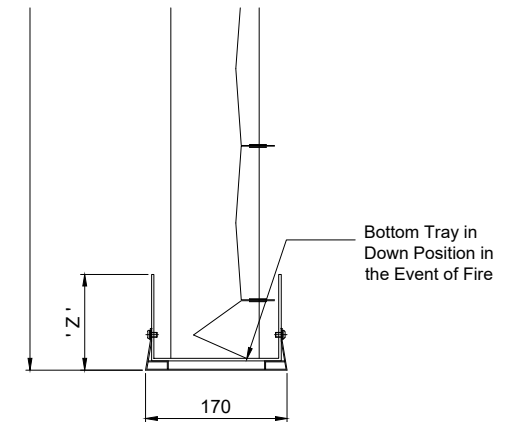



HEADBOX DETAIL



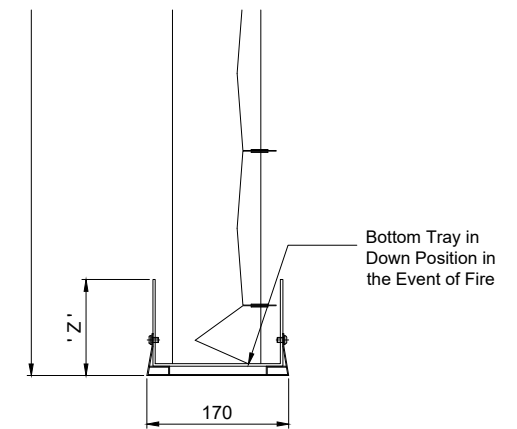
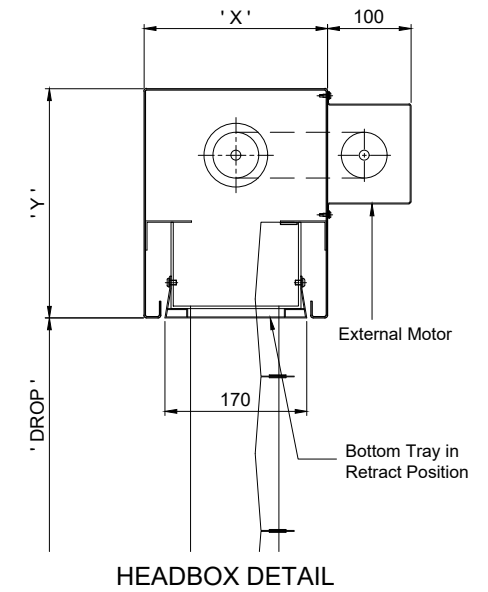
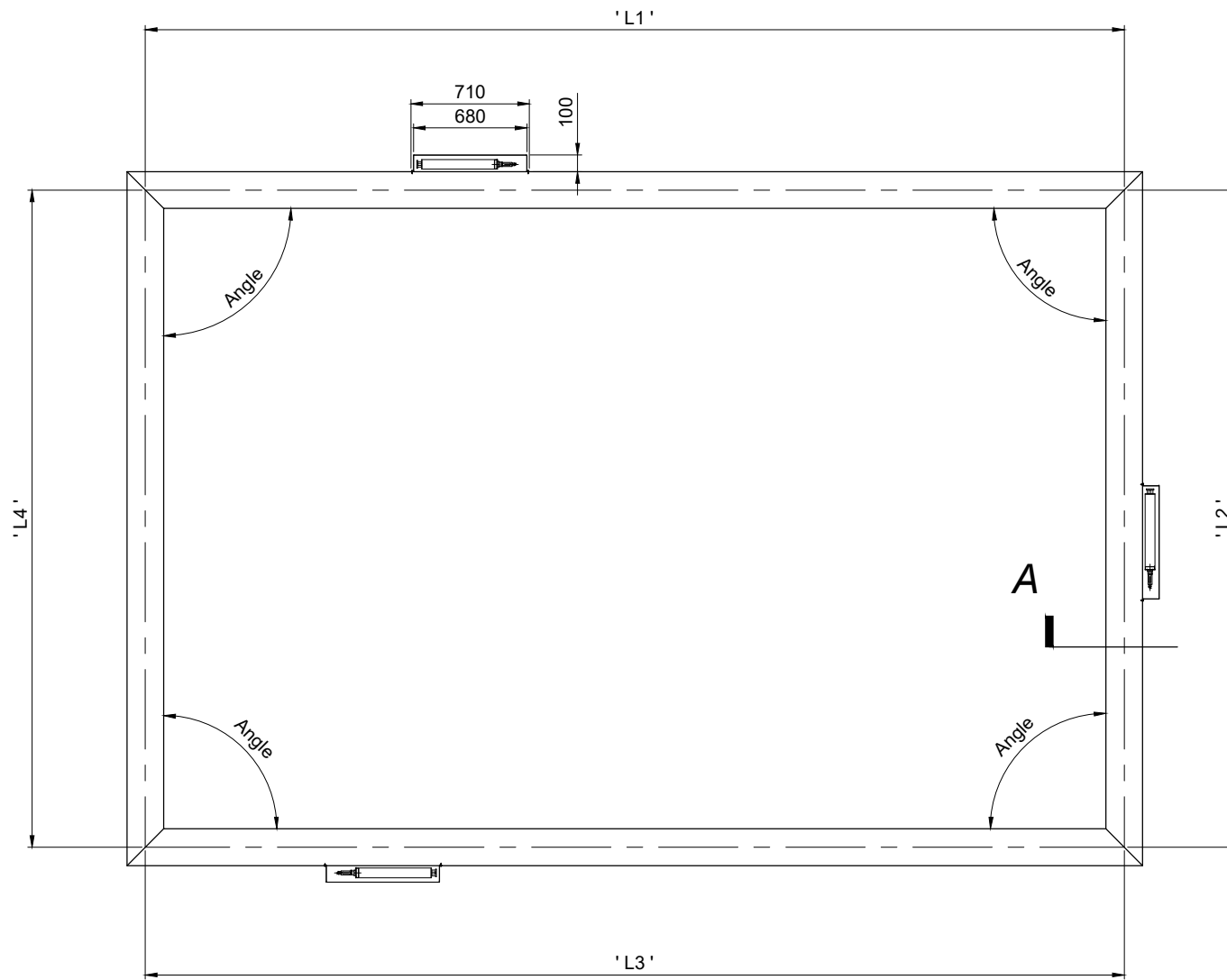
BOTTOM TRAY DETAIL SECTION A

NOTE: -

1. Number of motor(s) and location depends on curtain overall dimension
2. Minimum 5 sides required
3. Number of sides depends on radius and ceiling slot width
4. Headbox size should allow additional 15mm for fixings bolt head

 Ignis House, Houghton Avenue Waterlooville, Hampshire PO7 3DU, UK  Tel: +44 (0)2392 454 405  Email: info@coopersfire.com Web: www.coopersfire.com	DRAWN:	TITLE: FireMaster® Concertina™ - Closed Typical Arrangement - Compact Box		
	CHECKED:	ML		
	APPROVED:	JR	<small>© COOPERS FIRE LIMITED          ALL RIGHTS RESERVED. THIS DESIGN MAY NOT BE REPRODUCED          IN ANY MATERIAL FORM, INCLUDING ELECTRONICALLY WITHOUT          THE WRITTEN PERMISSION OF THE COPYRIGHT NAMES</small>	<small>ALL DIMENSIONS IN MILLIMETRES          UNLESS OTHERWISE STATED</small>
		JR	DRG. No. 604/021/MK	ISSUE: 2 DATE: 14.12.2020

HEADBOX SIZE		Z (mm)	CURTAIN DIMENSION		
X (mm)	Y (mm)		RADIUS	DROP	NO OF ANGLE
220	275	115	Unlimited	< 3m	Min. 5
220	340	180	Unlimited	< 5m	Min. 5



BOTTOM TRAY DETAIL  
SECTION A

NOTE: - Number of motor(s) and location depends on curtain overall dimension  
 - Headbox size should allow additional 15mm for fixings bolt head

DRAWN:	ML	TITLE:	FireMaster® Concertina™ - Closed Typical Arrangement - Compact Box
CHECKED:	JR	© COOPERS FIRE LIMITED ALL RIGHTS RESERVED. THIS DESIGN MAY NOT BE REPRODUCED IN ANY MATERIAL FORM, INCLUDING ELECTRONICALLY WITHOUT THE WRITTEN PERMISSION OF THE COPYRIGHT NAMES	ALL DIMENSIONS IN MILLIMETRES UNLESS OTHERWISE STATED
APPROVED:	JR	DRG. No.	604/007/MK
		ISSUE:	2
		DATE:	14.12.2020

HEADBOX SIZE		Z (mm)	CURTAIN DIMENSION		
X (mm)	Y (mm)		L - WIDTH	DROP	ANGLE
220	275	115	Unlimited	< 3m	45° - 180°
220	340	180	Unlimited	< 5m	45° - 180°



Ignis House, Houghton Avenue  
Waterlooville, Hampshire  
PO7 3DU, UK

Tel: +44 (0)2392 454 405

Email: info@coopersfire.com  
Web: www.coopersfire.com