

GEZE SPINDLE DRIVES

GEZE spindle drive E 250 NT

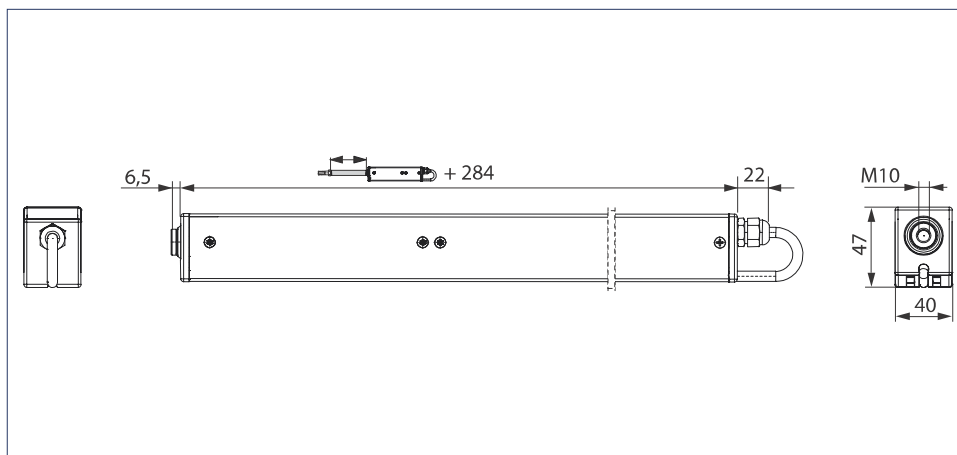
Drive in compact design with a large application range

Heavy and wide casements in particular can be opened and closed by the GEZE E 250 NT electric motor drive. The drive stroke (stroke variants 100 - 1000 mm) can be variably adjusted. Individual speeds can be set for ventilation mode. Its small dimensions and technically advanced detail solutions such as cables routed on the interior and the integrated, intelligent control make it the ideal drive for the direct opening of RWA windows. The integrated Syncro module allows up to 3 drives to be used without an external control unit being necessary. The drive is equipped with a DIP switch for changing between the modes of operation (Solo/Syncro, Master/Slave). With the swivelling console the spindle drive in Syncro version can be fitted directly to the secondary closing edge. A greater opening width is achieved in comparison with attachment on the primary closing edge of the skylight window with a comparable stroke.

GEZE E 250 NT



GEZE E 250 NT

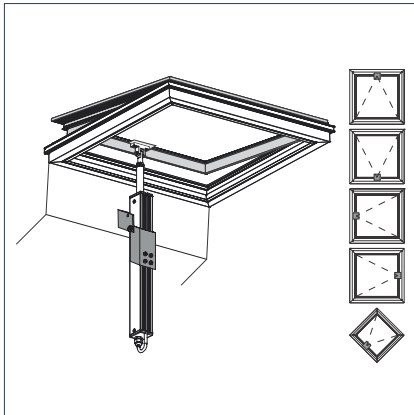


Application range

- For the direct opening of windows in the façade and roof area (skylight domes)
- Bottom-hung, side-hung, top-hung, skylight casements and louvre windows
- Inward-opening and outward-opening casements
- Natural ventilation, smoke and heat extraction system (RWA), natural smoke and heat exhaust ventilator (SHEV)
- Can be used in the exhaust air and fresh air system
- Synchronisation of up to 3 drives
- Can be used on timber, plastic and aluminium profile systems
- Casement or frame installation

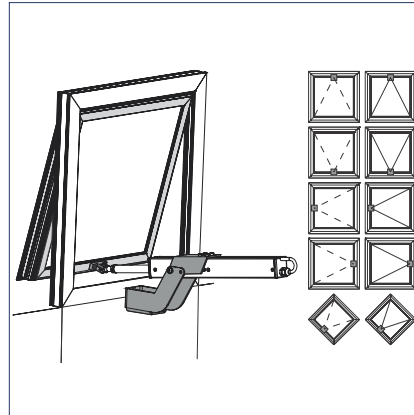
Application range

Skylights and skylight domes OUTWARD opening



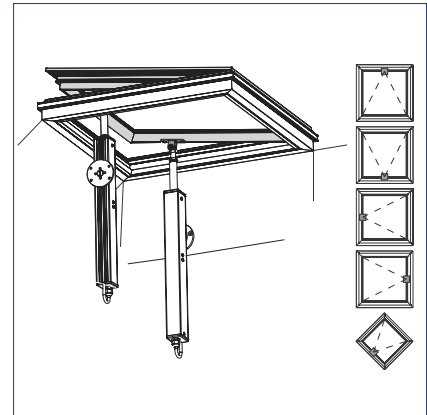
Standard console

Bottom-hung, top-hung, side-hung and skylight windows INWARD or OUTWARD opening



INWARD-OPENING console

Skylights and skylight domes OUTWARD opening



Swivelling console

Technical data

Product features	GEZE E 250 NT
Dimensions (W x H x D)	Stroke + 284 x 40 x 47
Possible stroke heights	100 mm, 150 mm, 200 mm, 230 mm, 300 mm, 500 mm, 750 mm, 1000 mm
Opening speed RWA	5.7 mm, stroke 500: 9.5 mm/s
Opening speed ventilation	5 mm/s
Tensile force (max.)	750 N
Force of pressure (max.)	750 N
Operating voltage	24 V DC
Current consumption	Ventilation (24 V): 0.9 A; RWA (18 V): 1.0 A Stroke 500: Ventilation (24 V): 1.1 A; RWA (18 V): 1.3 A
Power consumption (max.)	20 W
Duty rating	30 %
Length of power supply cable	2 m
Special length of power supply cable	5 m, 7.5 m
Cable dimensions	4 x 0.75 mm ²
Temperature range	-5 – 70 °C
Enclosure rating / protection class	IP 65 / III
Stroke length settable	•
Syncro function	•
Opening speed settable (ventilation)	•
Additional locking available	•
Type of additional locking	Locking drive
Type of stroke shortening	Factory setting, Synchronising unit
End position cut-off extended	electronic, via path and load
End position cut-off retracted	electronic, via path and load
Overload cut-off	•
Complete opening within 60 s	yes, up to 500 mm stroke
SHEV tested	yes, up to 500 mm stroke

• = YES

GEZE SPINDLE DRIVES

Minimum casement heights for INWARD opening bottom-hung, top-hung and side-hung windows

Stroke	Casement height
100 mm	
150 mm	
200 mm	200 mm
230 mm	230 mm
300 mm	300 mm
500 mm	600 mm

Minimum casement heights for OUTWARD opening bottom-hung, top-hung and side-hung windows

Stroke	Casement height
100 - 300 mm	400 mm
500 mm	600 mm

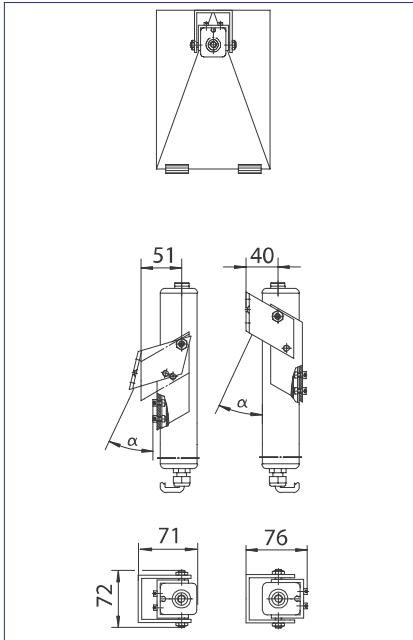
Minimum casement heights for skylights and skylight domes

Stroke	Casement height
100 mm	220 mm
150 mm	270 mm
200 mm	320 mm
230 mm	350 mm
300 mm	440 mm
500 mm	670 mm
700 mm	910 mm
750 mm	980 mm
1000 mm	1270 mm

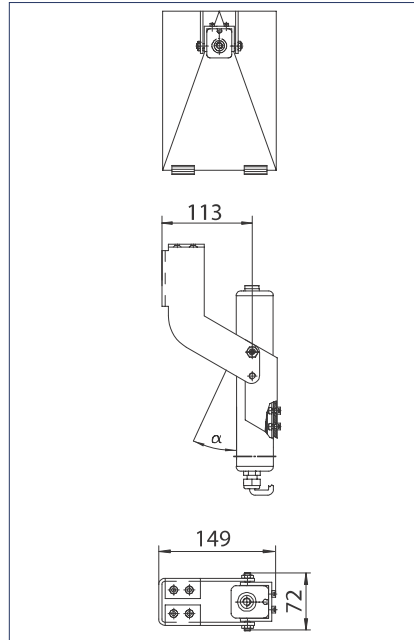
Solo application at the primary closing edge

Casement weight max. 100 kg, casement width < 1200 mm

Standard console



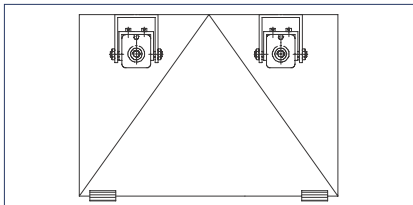
INWARD-OPENING console



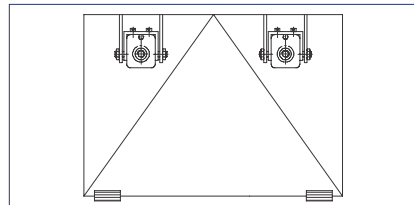
Synchronous application at the primary closing edge

Casement weight max. 200 kg, casement width < 2400 mm

Standard console

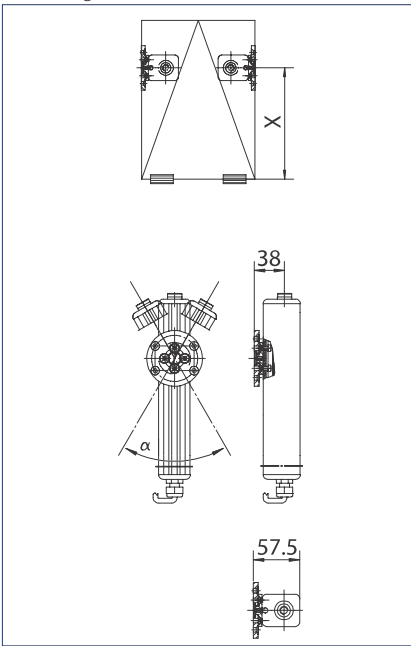


INWARD-OPENING console

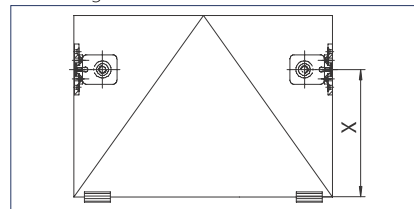


Synchronous application at the primary closing edge

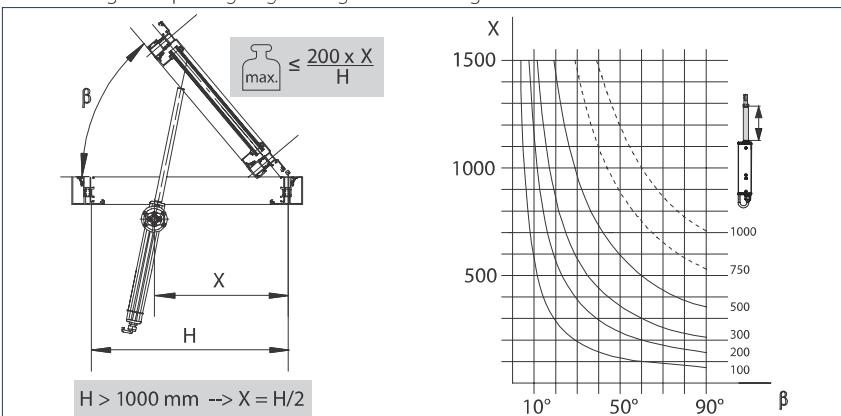
Swivelling console



Swivelling console



Determining the opening angle using the swivelling console



- H = Side closing edge
- X = Mounting dimension
- β = Opening angle

Example:

- Stroke = 500 mm
- Weight = 100 kg
- Mounting dimension $x = 700$ mm
- Opening angle = approx. 42°

Note:

Snow and wind loads must also be taken into consideration.

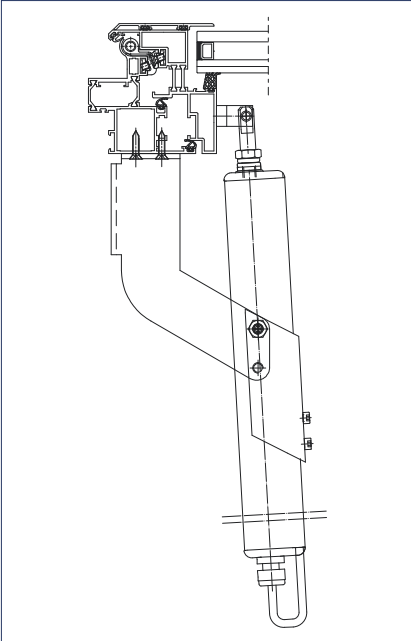
The minimum casement heights specified are only reference values, since they depend on the installation situation, mounting dimension and stroke.

The drive must not collide with a structure or any other obstacle in the swivelling range.

GEZE SPINDLE DRIVES

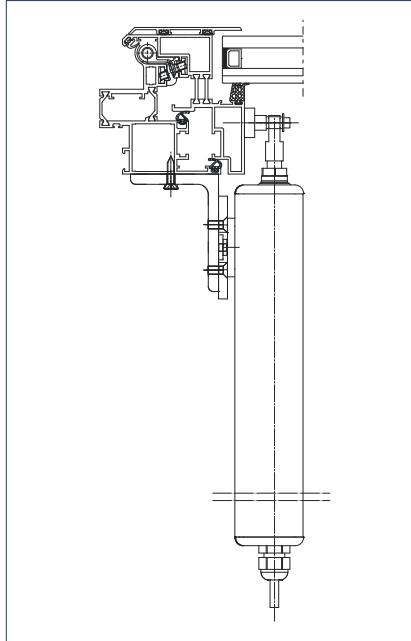
GEZE E 250 NT profile-specific installation on skylights

Wicona Wictec 50/60, installation at the primary closing edge



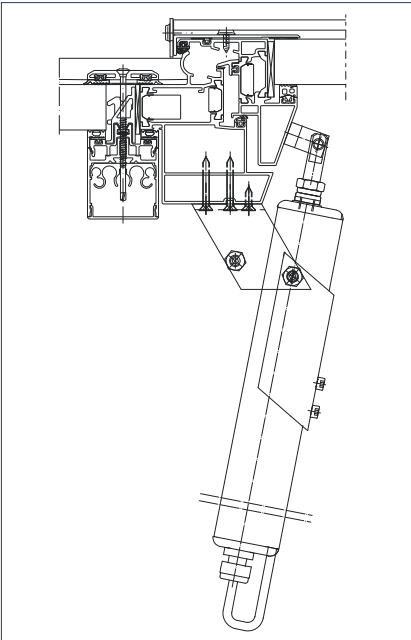
Console inward-opening E 250, incl. standard casement bracket (ID no. 027218)

Wicona Wictec 50/60, installation at the secondary closing edge



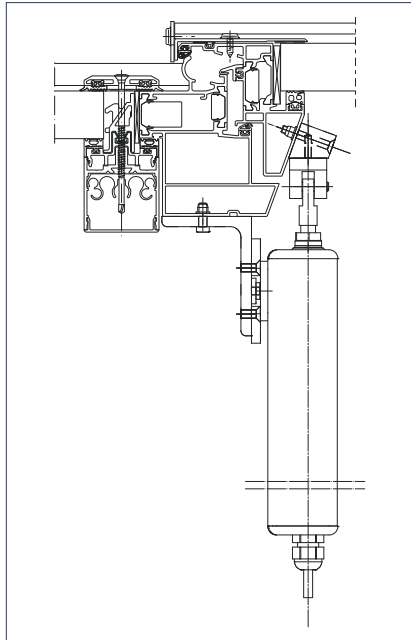
Casement bracket E 1500 NSK W-HU (ID no. 136187)
Swivelling console E 250 NSK, incl. console bracket E 250 and eye bolt \varnothing 8 mm (ID no. 138367)

Schüco AWS57, installation at the primary closing edge



Standard console E 250, incl. standard casement bracket (ID no. 019032)

Schüco AWS57, installation at the secondary closing edge



Adapter for console E 250 NSK S (ID no. 138370)
Swivelling console E 250 NSK (ID no. 116112)
Bracket E 250 NSK (ID no. 138369)

For further profile-specific solutions for Heroal, Alcoa, Hueck and Aluprof see installation diagram 45130-EP-002.

Electric spindle drive E 250 NT accessories

Standard console

For direct opening of the E 250 NT. Eye bolt and casement bracket are supplied by GEZE.

Console ENWARD-OPENING

For direct opening of the E 250 NT on inward-opening casements Eye bolt and casement bracket are supplied by GEZE.

Swivelling console

For direct opening of the E 250 NT. Eye bolt, casement bracket and countersunk screws are supplied by GEZE.



Standard console



INWARD-OPENING console



Swivelling console

GEZE E 250 NT - Order information

Description	Stroke	Version	ID.No.
GEZE E 250 NT	100 mm	EV1	146499
	150 mm	EV1	146652
	200 mm	EV1	146655
	230 mm	EV1	146658
	300 mm	EV1	146661
	500 mm	EV1	146664
	750 mm	EV1	146670
	1000 mm	EV1	146673
	100 mm	white RAL 9016	146500
	150 mm	white RAL 9016	146653
	200 mm	white RAL 9016	146656
	230 mm	white RAL 9016	146659
	300 mm	white RAL 9016	146662
	500 mm	white RAL 9016	146665
	750 mm	white RAL 9016	146671
	1000 mm	white RAL 9016	146674
	100 mm	acc. to RAL	146651
	150 mm	acc. to RAL	146654
	200 mm	acc. to RAL	146657
	230 mm	acc. to RAL	146660
300 mm	acc. to RAL	146663	
500 mm	acc. to RAL	146666	
750 mm	acc. to RAL	146672	
1000 mm	acc. to RAL	146675	
GEZE E 250 NT - special version Can be configured: stroke, cable length, colour			146676

GEZE SPINDLE DRIVES

Window technology

Electrical RWA and ventilation systems

Description	Stroke	Version	ID.No.
Accessories			
Swivelling bracket E 250/E 350 N NSK with eye bolts suitable for installation on the secondary closing edge of skylights			138367
Swivelling bracket E 250/E 350 N with eye bolts and casement bracket		EV1	116112
		white RAL 9016	116113
		acc. to RAL	116114
Console INWARDS E 250/E 350 N with eye bolts and casement bracket		EV1	027218
		white RAL 9016	027223
		acc. to RAL	027222
Standard bracket E 250/E 350 N with eye bolts and casement bracket		EV1	019032
		white RAL 9016	020879
		acc. to RAL	020878
Adapter for bracket E 250/ E 350 N NSK-S suitable for installation on the secondary closing edge of skylights (Schüco AWS57 RO)			138370
Eye bolt E 250/ E 350 N DRM suitable for installation on the secondary closing edge of skylights			138368
Bracket E 250/E 350 N NSK suitable for installation on the secondary closing edge of skylights			138369
Casement bracket E 1500 HSK HE suitable for installation on the primary closing edge of skylights (Heroal), can also be used for E 250 NT			136190
Casement bracket E 1500 NSK A-HU suitable for installation on the secondary closing edge of skylights (Alcoa AA 100, Hueck VF 50/60), can also be used for E 250 NT			136189
Casement bracket E 1500 NSK HE suitable for installation on the secondary closing edge of skylights (Heroal 85 D), also suitable for E 250 NT			136188
Casement bracket E 1500 NSK W-HU suitable for installation on the secondary closing edge of skylights (Wicona WT 50/60, Hueck 85 E), can also be used for E 250 NT			136187
Casement bracket E 1500/ E 3000 NSK AP suitable for installation on the secondary closing edge of skylights (Aluprof MB-SR50), can also be used for E 250 NT			140713



GEZE E 250 NT